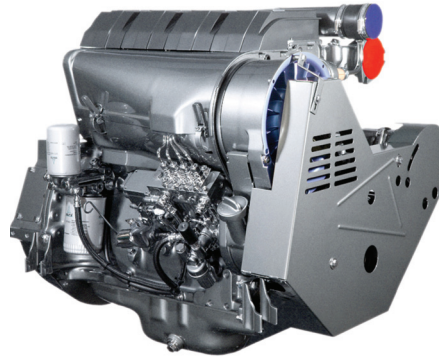


BFL 914

for generator sets

29 - 151 kW | 38 - 202 hp at 1500/1800 min⁻¹ | rpm
EU Stage II / US EPA Tier 2 and lower

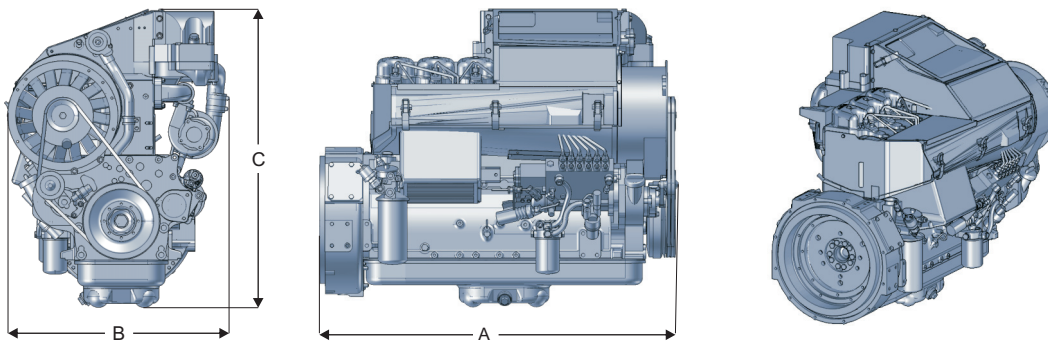
- Air-cooled 3 to 6-cylinder naturally aspirated engines in inline arrangement.
- 4- and 6-cylinder engines also with turbocharging and optional charge air cooling.
- Low noise emissions due to acoustically optimized components with very smooth running and high durability.
- Also available with an electronic motor regulator (EMR) to allow easy integration into the electronic device control and monitoring system.



- Best cold starting performance even under extreme conditions.

- Easy, inexpensive installation due to minimum weight and small installation space.
- The robust engine design allows worldwide operation even with high sulphur fuels.
- Highly efficient injection and combustion system ensures optimum engine performance at low consumption.
- A very good load response ensures an immediate power supply.

Dimensions



		A	B	C
F3L 914	mm in	690 27	695 27	800 31
F4L 914	mm in	830 33	670 26	800 31
F5L 914	mm in	865 34	720 28	850 33
F6L 914	mm in	1085 43	675 27	885 35
BF4L 914	mm in	805 32	710 28	810 32
BF6L 914	mm in	1105 43	705 28	920 36
BF6L 914C	mm in	1130 44	775 30	1060 42

Note: The engine dimensions and weights vary depending on the scope of delivery.

The engine company.



Technical data EU Stage II/US EPA Tier 2

Engine type		F3L 914	F4L 914	F6L 914	BF6L 914	BF6L 914C
No. of cylinders		3	4	6	6	6
Bore/stroke	mm in	102/132 4,0/5,2	102/132 4,0/5,2	102/132 4,0/5,2	102/132 4,0/5,2	102/132 4,0/5,2
Displacement	l cu in	3,2 197	4,3 263	6,5 395	6,5 395	6,5 395
Weight (incl. cooler and fan)	kg lb	277 611	307 677	430 948	485 1069	510 1124
Governing standard ¹⁾		G2	G2	G2	G2	G2

50 Hz / 1500 min⁻¹

Power		F3L 914	F4L 914	F6L 914	BF6L 914	BF6L 914C
Continuous Power (COP) ²⁾	kW hp	29 38	38 50	54 73	89 119	111 149
Prime Power (PRP) ³⁾	kW hp	30 40	40 53	57 76	93 125	117 157
Limited Time Power (LTP) ⁴⁾	kW hp	32 42	42 56	60 80	98 132	123 164
Fan power consumption	kW hp	0,5 0,7	0,5 0,7	0,7 0,9	1,1 1,5	1,6 2,1
Typical Generator Output COP	kVA	30	39	57	99	123
Typical Generator Output PRP	kVA	31	41	60	104	130
Typical Generator Output LTP	kVA	33	44	63	109	136

Fuel Consumption (PRP) ⁵⁾		F3L 914	F4L 914	F6L 914	BF6L 914	BF6L 914C
Fuel consumption 25% load	g/kWh lb/hph	310 0,51	320 0,53	330 0,54	305 0,50	300 0,49
Fuel consumption 50% load	g/kWh lb/hph	230 0,38	240 0,39	235 0,39	248 0,41	243 0,40
Fuel consumption 75% load	g/kWh lb/hph	214 0,35	221 0,36	220 0,36	235 0,39	231 0,38
Fuel consumption 100% load	g/kWh lb/hph	210 0,35	223 0,37	216 0,36	227 0,37	223 0,37

Inlet & exhaust data		F3L 914	F4L 914	F6L 914	BF6L 914	BF6L 914C
max. intake depression	mbar psi	20 0,29	20 0,29	20 0,29	20 0,29	20 0,29
Combustion air volume	m ³ /h cfm	131 77	174 102	262 154	374 220	453 267
max. exhaust gas temperature	°C °F	450 842	455 851	510 950	550 1022	525 977
Exhaust gas flow	m ³ /h cfm	358 211	476 280	715 421	1058 623	1158 682

60 Hz / 1800 min⁻¹

Power		F3L 914	F4L 914	F6L 914	BF6L 914	BF6L 914C
Continuous Power (COP) ²⁾	kW hp	33 45	45 61	65 87	92 124	129 173
Prime Power (PRP) ³⁾	kW hp	35 47	48 64	68 92	97 130	136 182
Limited Time Power (LTP) ⁴⁾	kW hp	37 49	50 67	72 96	102 137	143 191
Fan power consumption	kW hp	0,8 1,1	0,9 1,2	1,2 1,6	1,8 2,4	2,8 3,8
Typical Generator Output COP	kWe	28	38	54	81	114
Typical Generator Output PRP	kWe	29	40	57	86	120
Typical Generator Output LTP	kWe	31	42	60	90	126

Fuel Consumption (PRP) ⁵⁾		F3L 914	F4L 914	F6L 914	BF6L 914	BF6L 914C
Fuel consumption 25% load	g/kWh lb/hph	335 0,55	335 0,55	300 0,49	280 0,46	300 0,49
Fuel consumption 50% load	g/kWh lb/hph	234 0,38	234 0,38	228 0,37	223 0,37	243 0,40
Fuel consumption 75% load	g/kWh lb/hph	221 0,36	122 0,20	209 0,34	211 0,35	231 0,38
Fuel consumption 100% load	g/kWh lb/hph	208 0,34	210 0,35	207 0,34	209 0,34	223 0,37

Inlet & exhaust data		F3L 914	F4L 914	F6L 914	BF6L 914	BF6L 914C
max. intake depression	mbar psi	20 0,29	20 0,29	20 0,29	20 0,29	20 0,29
Combustion air volume	m ³ /h cfm	157 92	209 123	315 185	526 310	642 378
max. exhaust gas temperature	°C °F	485 905	490 914	540 1004	590 1094	505 941
Exhaust gas flow	m ³ /h cfm	426 251	572 337	853 502	1462 861	1644 968

1) According to ISO 8528-5.

2) Continuous Power: No time limitation, plus 10% additional power for governing purpose only.

3) Prime Power: Average power output ≤ 80%, no time limitation, plus 5% additional power for governing purpose only.

4) Limited Time Running Power: For up to 500 h/year, thereof a maximum of 300 h/year continuous running.

5) Refers to diesel with a density of 0.835 kg/dm³ at 15°C | 6.96 lb/US gallon at 60°F.

The data on this data sheet are for information purposes only and are not binding values. The data in the quotation is definitive.



Technical data for markets without emission regulation

Engine type		F3L 914	F4L 914	F5L 914	F6L 914
No. of cylinders		3	4	5	6
Bore/stroke	mm in	102/132 4,0/5,2	102/132 4,0/5,2	102/132 4,0/5,2	102/132 4,0/5,2
Displacement	l cu in	3,2 197	4,3 263	5,4 329	6,5 395
Weight (incl. cooler and fan)	kg lb	277 611	307 677	380 838	430 948
Governing standard ¹⁾		G2	G2	G2	G2

Engine type		BF4L 914	BF6L 914	BF6L 914C
No. of cylinders		4	6	6
Bore/stroke	mm in	102/132 4,0/5,2	102/132 4,0/5,2	102/132 4,0/5,2
Displacement	l cu in	4,3 263	6,5 395	6,5 395
Weight (incl. cooler and fan)	kg lb	350 772	485 1069	510 1124
Governing standard ¹⁾		G2	G2	G2

50 Hz / 1500 min⁻¹

Power		F3L 914	F4L 914	F5L 914	F6L 914
Continuous Power (COP) ²⁾	kW hp	31 42	41 55	52 69	62 83
Prime Power (PRP) ³⁾	kW hp	33 44	43 57	54 72	65 87
Limited Time Power (LTP) ⁴⁾	kW hp	35 46	46 61	67 90	69 92
Fan power consumption	kW hp	0,5 0,7	0,5 0,7	0,7 0,9	0,7 0,9
Typical Generator Output COP	kVA	32	43	53	67
Typical Generator Output PRP	kVA	33	44	56	70
Typical Generator Output LTP	kVA	35	47	70	74

Power		BF4L 914	BF6L 914	BF6L 914C
Continuous Power (COP) ²⁾	kW hp	57 76	88 118	114 153
Prime Power (PRP) ³⁾	kW hp	59 79	92 123	119 160
Limited Time Power (LTP) ⁴⁾	kW hp	62 83	97 130	125 168
Fan power consumption	kW hp	0,7 0,9	1,1 1,5	1,6 2,1
Typical Generator Output COP	kVA	62	97	125
Typical Generator Output PRP	kVA	64	101	131
Typical Generator Output LTP	kVA	67	107	137

Fuel Consumption (PRP) ⁵⁾		F3L 914	F4L 914	F5L 914	F6L 914
Fuel consumption 25% load	g/kWh lb/hph	323 0,53	323 0,53	315 0,52	315 0,52
Fuel consumption 50% load	g/kWh lb/hph	228 0,37	228 0,37	220 0,36	220 0,36
Fuel consumption 75% load	g/kWh lb/hph	207 0,34	207 0,34	205 0,34	205 0,34
Fuel consumption 100% load	g/kWh lb/hph	205 0,34	205 0,34	204 0,34	204 0,34

Fuel Consumption (PRP) ⁵⁾		BF4L 914	BF6L 914	BF6L 914C
Fuel consumption 25% load	g/kWh lb/hph	323 0,53	280 0,46	206 0,34
Fuel consumption 50% load	g/kWh lb/hph	228 0,37	223 0,37	209 0,34
Fuel consumption 75% load	g/kWh lb/hph	207 0,34	211 0,35	221 0,36
Fuel consumption 100% load	g/kWh lb/hph	205 0,34	209 0,34	265 0,44

Inlet & exhaust data		F3L 914	F4L 914	F5L 914	F6L 914
max. intake depression	mbar psi	20 0,29	20 0,29	20 0,29	20 0,29
Combustion air volume	m ³ /h cfm	131 77	174 102	200 118	262 154
max. exhaust gas temperature	°C °F	450 842	455 851	520 968	510 950
Exhaust gas flow	m ³ /h cfm	358 211	476 280	592 348	715 421

Inlet & exhaust data		BF4L 914	BF6L 914	BF6L 914C
max. intake depression	mbar psi	20 0,29	20 0,29	20 0,29
Combustion air volume	m ³ /h cfm	250 147	374 220	453 267
max. exhaust gas temperature	°C °F	540 1004	550 1022	525 977
Exhaust gas flow	m ³ /h cfm	665 391	952 560	1158 682

60 Hz / 1800 min⁻¹

Power		F3L 914	F4L 914	F5L 914	F6L 914
Continuous Power (COP) ²⁾	kW hp	37 49	49 65	61 81	73 98
Prime Power (PRP) ³⁾	kW hp	38 51	38 51	64 85	77 103
Limited Time Power (LTP) ⁴⁾	kW hp	40 54	53 71	57 76	81 108
Fan power consumption	kW hp	0,5 0,7	0,5 0,7	1,0 1,3	1,0 1,3
Typical Generator Output COP	kWe	30	40	50	63
Typical Generator Output PRP	kWe	31	32	53	66
Typical Generator Output LTP	kWe	33	44	47	69

Power		BF4L 914	BF6L 914	BF6L 914C
Continuous Power (COP) ²⁾	kW hp	67 90	106 142	137 184
Prime Power (PRP) ³⁾	kW hp	70 94	110 148	144 192
Limited Time Power (LTP) ⁴⁾	kW hp	74 99	116 156	151 202
Fan power consumption	kW hp	1,2 1,6	1,8 2,4	2,8 3,8
Typical Generator Output COP	kWe	58	93	119
Typical Generator Output PRP	kWe	61	96	125
Typical Generator Output LTP	kWe	64	102	132

Fuel Consumption (PRP) ⁵⁾		F3L 914	F4L 914	F5L 914	F6L 914
Fuel consumption 25% load	g/kWh lb/hph	335 0,55	335 0,55	300 0,49	300 0,49
Fuel consumption 50% load	g/kWh lb/hph	234 0,38	234 0,38	228 0,37	228 0,37
Fuel consumption 75% load	g/kWh lb/hph	221 0,36	212 0,35	209 0,34	209 0,34
Fuel consumption 100% load	g/kWh lb/hph	210 0,35	210 0,35	207 0,34	207 0,34

Fuel Consumption (PRP) ⁵⁾		BF4L 914	BF6L 914	BF6L 914C
Fuel consumption 25% load	g/kWh lb/hph	335 0,55	280 0,46	209 0,34
Fuel consumption 50% load	g/kWh lb/hph	234 0,38	223 0,37	211 0,35
Fuel consumption 75% load	g/kWh lb/hph	212 0,35	211 0,35	223 0,37
Fuel consumption 100% load	g/kWh lb/hph	210 0,35	209 0,34	280 0,46

Inlet & exhaust data		F3L 914	F4L 914	F5L 914	F6L 914
max. intake depression	mbar psi	20 0,29	20 0,29	20 0,29	20 0,29
Combustion air volume	m ³ /h cfm	157 92	209 123	235 138	315 185
max. exhaust gas temperature	°C °F	485 905	490 914	530 986	540 1004
Exhaust gas flow	m ³ /h cfm	426 251	572 337	710 418	853 502

Inlet & exhaust data		BF4L 914	BF6L 914	BF6L 914C
max. intake depression	mbar psi	20 0,29	20 0,29	20 0,29
Combustion air volume	m ³ /h cfm	310 182	526 310	642 378
max. exhaust gas temperature	°C °F	530 986	540 1004	505 941
Exhaust gas flow	m ³ /h cfm	850 500	1315 774	1644 968

- 1) According to ISO 8528-5.
- 2) Continuous Power: No time limitation, plus 10% additional power for governing purpose only.
- 3) Prime Power: Average power output ≤ 80%, no time limitation, plus 5% additional power for governing purpose only.
- 4) Limited Time Running Power: For up to 500 h/year, thereof a maximum of 300 h/year continuous running.
- 5) Refers to diesel with a density of 0.835 kg/dm³ at 15°C | 6.96 lb/US gallon at 60°F.

The data on this data sheet are for information purposes only and are not binding values. The data in the quotation is definitive.