

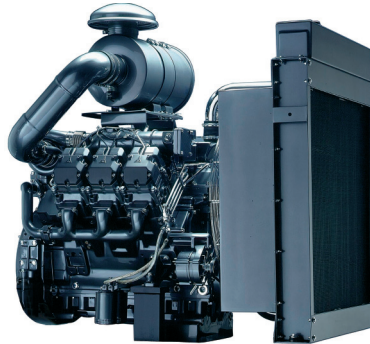
BFM 1015

for generator sets

250 - 517 kW | 335 - 693 hp at 1500/1800 min⁻¹ | rpm

EU Stage II / US EPA Tier 2

- Water-cooled V6 and V8 engines with turbocharging, charge air cooling and four-valve technology.
- Also available with an electronic motor regulator (EMR) to allow easy integration into the electronic device control and monitoring system.
- The robust engine design allows worldwide operation even with high sulphur fuels.



- Low noise emissions due to acoustically optimized components with very smooth running and high durability.
- Robust and reliable mechanical injection system.
- Best cold starting performance even under extreme conditions.
- A very good load response ensures an immediate power supply.

Technical data

Engine type		BF6M 1015C	BF6M 1015CP	BF8M 1015C	BF8M 1015CP
No. of cylinders		6	6	8	8
Bore/stroke	mm in	132/145 5,2/5,7	132/145 5,2/5,7	132/145 5,2/5,7	132/145 5,2/5,7
Displacement	l cu in	11,9 727	11,9 727	15,9 969	16 969
Weight (incl. cooler and fan)	kg lb	1030 2271	1055 2326	1270 2800	1300 2866
Governing standard ¹⁾		G2	G2	G2	G2

50 Hz / 1500 min⁻¹

Power		BF6M 1015C	BF6M 1015CP	BF8M 1015C	BF8M 1015CP
Continuous Power (COP) ²⁾	kW hp	285 382	303 406	372 499	399 535
Prime Power (PRP) ³⁾	kW hp	315 422	338 453	413 554	448 601
Limited Time Power (LTP) ⁴⁾	kW hp	345 463	365 490	459 616	490 657
Typical Generator Output COP	kVA	291	318	404	428
Typical Generator Output PRP	kVA	323	356	449	483
Typical Generator Output LTP	kVA	354	385	500	529

60 Hz / 1800 min⁻¹

Power		BF6M 1015C	BF6M 1015CP	BF8M 1015C	BF8M 1015CP
Continuous Power (COP) ²⁾	kW hp	271 363	320 429	362 486	426 571
Prime Power (PRP) ³⁾	kW hp	310 416	351 471	413 554	473 634
Limited Time Power (LTP) ⁴⁾	kW hp	341 457	384 515	454 610	517 693
Typical Generator Output COP	kWe	220	263	307	364
Typical Generator Output PRP	kWe	252	290	352	406
Typical Generator Output LTP	kWe	278	319	388	445

1) According to ISO 8528-5.

2) Continuous Power: No time limitation, plus 10% additional power for governing purpose only.

3) Prime Power: Average power output ≤ 80%, no time limitation, plus 5% additional power for governing purpose only.

4) Limited Time Running Power: For up to 500 h/year, thereof a maximum of 300 h/year continuous running.

The data on this data sheet are for information purposes only and are not binding values. The data in the quotation is definitive.

50 Hz / 1500 min⁻¹

Fuel Consumption (PRP) ¹⁾		BF6M 1015C	BF6M 1015CP	BF8M 1015C	BF8M 1015CP
Fuel consumption 25% load	g/kWh lb/hph	215 0,35	219 0,36	216 0,36	220 0,36
Fuel consumption 50% load	g/kWh lb/hph	203 0,33	208 0,34	203 0,33	209 0,34
Fuel consumption 75% load	g/kWh lb/hph	203 0,33	208 0,34	203 0,33	211 0,35
Fuel consumption 100% load	g/kWh lb/hph	207 0,34	215 0,35	208 0,34	220 0,36
Heat balance & cooling system		BF6M 1015C	BF6M 1015CP	BF8M 1015C	BF8M 1015CP
Heat dissipation (engine radiator) ²⁾	kW hp	157 211	169 227	216 290	241 323
Heat dissipation (CAC) ²⁾	kW hp	77 103	88 118	105 141	114 153
Heat dissipation (convection)	kW hp	35 47	37 50	45 60	49 66
Fan power consumption	kW hp	7,6 10,2	10,7 14,3	9,3 12,5	14,1 18,9
Cooling air flow	m ³ /h cfm	17388 10234	24120 14196	23724 13963	33120 19494
Inlet & exhaust data		BF6M 1015C	BF6M 1015CP	BF8M 1015C	BF8M 1015CP
max. intake depression	mbar psi	50 0,73	50 0,73	50 0,73	50 0,73
Combustion air volume	m ³ /h cfm	1339 788	1386 816	1777 1046	1848 1088
max. exhaust gas temperature	°C °F	520 968	555 1031	540 1004	560 1040
Exhaust gas flow	m ³ /h cfm	3644 2145	4000 2354	4822 2838	5357 3153

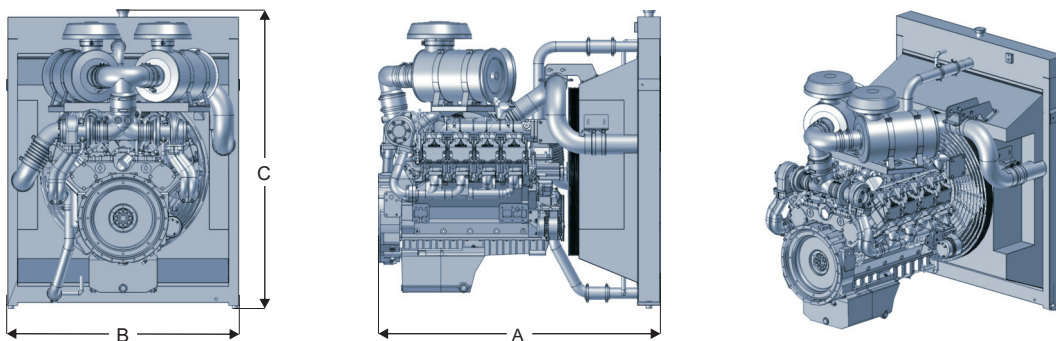
60 Hz / 1800 min⁻¹

Fuel Consumption (PRP) ¹⁾		BF6M 1015C	BF6M 1015CP	BF8M 1015C	BF8M 1015CP
Fuel consumption 25% load	g/kWh lb/hph	237 0,39	229 0,38	238 0,39	214 0,35
Fuel consumption 50% load	g/kWh lb/hph	213 0,35	213 0,35	214 0,35	213 0,35
Fuel consumption 75% load	g/kWh lb/hph	210 0,35	212 0,35	211 0,35	212 0,35
Fuel consumption 100% load	g/kWh lb/hph	213 0,35	218 0,36	217 0,36	219 0,36
Heat balance & cooling system		BF6M 1015C	BF6M 1015CP	BF8M 1015C	BF8M 1015CP
Heat dissipation (engine radiator) ²⁾	kW hp	150 201	176 236	216 290	242 325
Heat dissipation (CAC) ²⁾	kW hp	92 123	108 145	113 152	140 188
Heat dissipation (convection)	kW hp	34 46	39 52	45 60	52 70
Fan power consumption	kW hp	6,3 8,4	17,9 24,0	13,1 17,6	16,8 22,5
Cooling air flow	m ³ /h cfm	15372 9048	30600 18010	23004 13540	37800 22248
Inlet & exhaust data		BF6M 1015C	BF6M 1015CP	BF8M 1015C	BF8M 1015CP
max. intake depression	mbar psi	50 0,73	50 0,73	50 0,73	50 0,73
Combustion air volume	m ³ /h cfm	1694 997	1709 1006	2048 1205	1971 1160
max. exhaust gas temperature	°C °F	465 869	515 959	510 950	502 936
Exhaust gas flow	m ³ /h cfm	4040 2378	4622 2720	5297 3118	6082 3580

1) Refers to diesel with a density of 0.835 kg/dm³ at 15°C | 6.96 lb/US gallon at 60°F.

2) The heat quantities are valid for the dimensioning of the cooling system.

Dimensions



		A	B	C
BF6M 1015C	mm in	1635 64	1315 52	1865 73
BF6M 1015CP	mm in	1635 64	1515 60	1925 76
BF8M 1015C	mm in	1750 69	1515 60	1740 69
BF8M 1015CP	mm in	1750 69	1815 71	1850 73

Note: The engine dimensions and weights vary depending on the scope of delivery.

For more information please contact the DEUTZ AG Köln or the responsible sales partner.

